

1.4 Product Selection Table 产品型号

Modle NO.	CCT	Center		
		code	x	y
RF-R30HP32DS-BF-I3-Y	3000K	30M	0.4403	0.4030
RF-R40HP32DS-BF-I3-Y	4000K	40M	0.3801	0.3801
RF-R6HP32DS-BF-I3-Y	6500K	A65	0.3165	0.3400

1.5 Package Dimension 封装尺寸

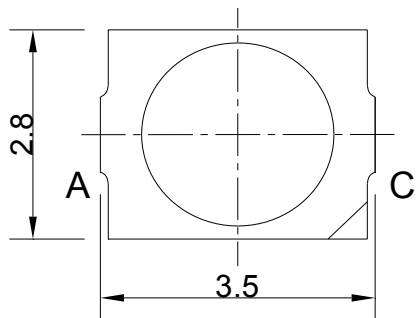


Fig.1-1 Top view 正面视图

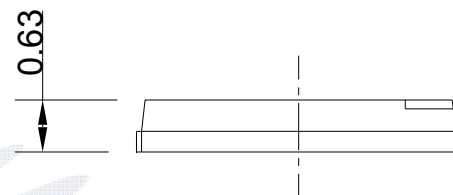


Fig.1-2 Side view 侧面视图

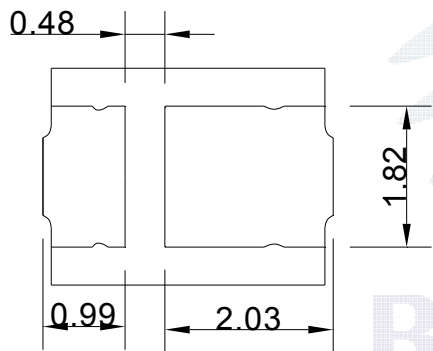


Fig.1-3 Bottom view 背面视图



Polarity
A:anode
C:cathode

Fig.1-4 Polarity 极性

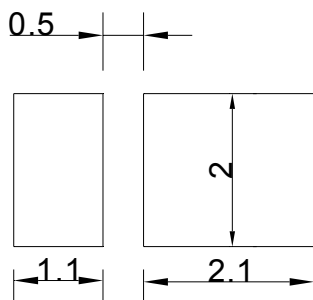


Fig.1-5 Soldering patterns 推荐焊盘

Notes 备注 :

1. All dimensions units are millimeters. 所有尺寸标注单位为 mm.
2. All dimensions tolerances are ± 0.05 mm unless otherwise noted.除特别标注外，所有尺寸公差为 ± 0.05 mm.